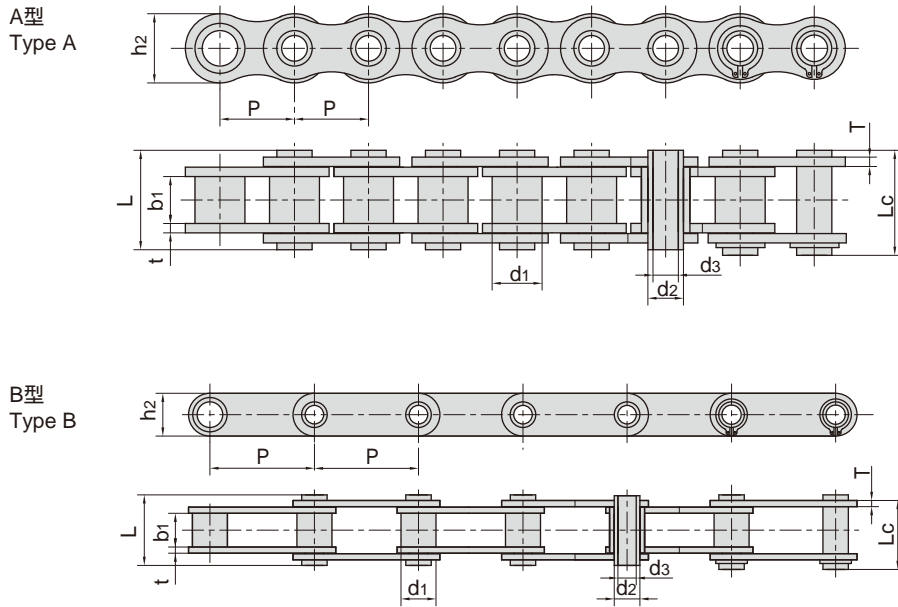


不锈钢空心销轴链

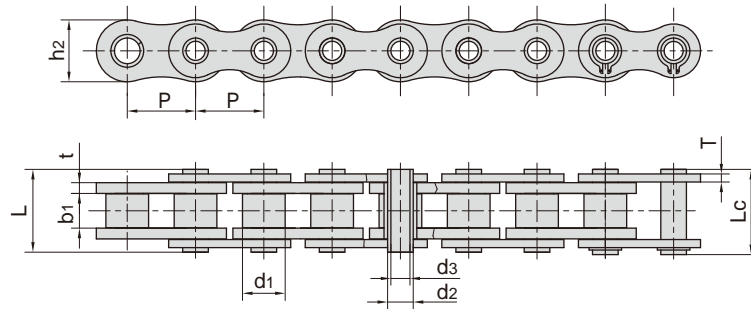
Stainless steel hollow pin chains



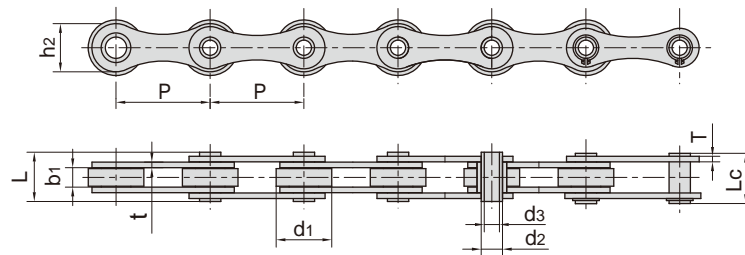
东华链号 Donghua Chain No.	节距 Pitch	套筒直径 Bush diameter	内节内宽 Width between inner plates	销轴直径 Pin diameter		销轴长度 Pin length		内链板高度 Inner plate depth	链板厚度 Plate thickness	破断载荷 Breaking load	每米长重 Weight per meter	型号 Type
	P	d1 max	b1 min	d2 max	d3 min	L max	Lc max	h2 max	t/T max	Q min	q	
	mm	mm	mm	mm	mm	mm	mm	mm	mm	kN/lbf	kg/m	
08BHPSS	12.700	8.51	7.75	6.55	4.50	16.40	-	11.80	1.60	7.7/1731	0.56	A
08BHPFSS	12.700	8.51	7.75	6.55	4.50	16.40	17.60	11.80	1.60/1.30	7.8/1753	0.50	A
08BHPF5SS	12.700	8.51	7.75	6.30	4.50	16.80	18.00	12.00	1.60	6.7/1506	0.63	A
C08BHPSS	12.700	8.51	7.75	6.55	4.50	16.40	17.60	11.80	1.60/1.30	7.7/1731	0.62	B
40HPSS	12.700	7.95	7.85	5.63	4.00	16.50	17.60	12.00	1.50	7.7/1731	0.55	A
50HPSS	15.875	10.16	9.40	7.03	5.13	20.70	21.90	15.09	2.03	14.0/3147	0.92	A
10BHPF3SS	15.875	10.16	9.65	7.02	5.13	19.05	20.50	14.70	1.70	7.0/1574	0.87	A
60HPSS	19.050	11.91	12.70	8.31	6.00	25.80	26.80	18.00	2.42	16.8/3777	1.31	A
60HPF6SS	19.050	11.91	12.70	8.31	5.00	25.80	26.80	18.00	2.42	15.0/3409	1.40	A
80HPSS	25.400	15.88	15.75	11.40	8.05	32.50	33.80	24.00	3.25	35.0/7868	2.29	A
C2040HPSS	25.400	7.95	7.85	5.63	4.00	16.50	17.60	12.00	1.50	7.7/1731	0.47	B
HB25.4F10SS	25.400	10.16	9.40	7.22	5.12	20.50	21.80	14.95	2.03	12.0/2698	0.84	B
C2050HPSS	31.750	10.16	9.40	7.22	5.12	20.50	21.80	15.00	2.03	14.3/3215	0.77	B
C2060HPSS	38.100	11.91	12.70	8.31	6.00	25.80	26.80	17.00	2.42	16.8/3777	1.03	B
HP50F10SS	50.000	18.00	12.00	8.30	8.30	39.50	40.60	30.00	3.00	30.0/6744	2.71	B
C2080HPSS	50.800	15.88	15.75	11.40	8.05	32.50	33.80	24.00	3.25	35.0/7868	1.83	B

不锈钢空心销轴链 Stainless steel hollow pin chains

A型
Type A



B型
Type B

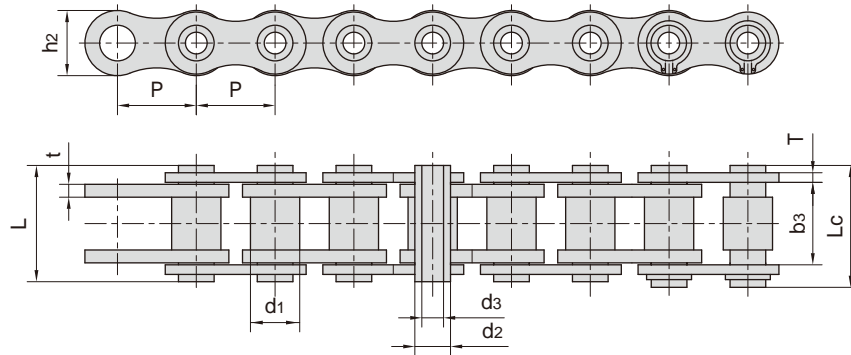


东华链号 Donghua Chain No.	节距 Pitch	滚子直径 Roller diameter	内节内宽 Width between inner plates	销轴直径 Pin diameter		销轴长度 Pin length		内链板高度 Inner plate depth	链板厚度 Plate thickness	破断载荷 Breaking load	每米长重 Weight per meter	型号 Type
	P	d1 max	b1 min	d2 max	d3 min	L max	Lc max	h2 max	t/T max	Q min	q	
	mm	mm	mm	mm	mm	mm	mm	mm	mm	kN/lbf	kg/m	
10BHPSS	15.875	10.16	9.65	5.94	4.04	19.30	20.50	14.70	1.70	11.0/2473	0.87	A
12BHPSS	19.050	12.07	11.68	6.50	4.00	21.60	22.80	15.90	1.85	14.0/3147	1.12	A
16BHSS	25.400	15.88	17.02	8.28	4.20	35.20	36.50	21.00	4.15/3.10	25.4/5710	2.50	A
16BHBF1SS	25.400	15.88	12.70	9.53	7.05	30.80	32.20	23.00	4.15/3.10	25.0/5620	2.30	A
HB25.4F6SS	25.400	16.00	8.00	6.05	4.20	19.20	20.20	12.00	2.03	6.0/1349	0.90	B
HP35SS	35.000	20.00	16.00	13.35	10.20	30.40	31.60	26.30	2.50	16.4/3687	2.13	A
HP41.75F1SS	41.750	17.10	20.20	11.11	8.20	35.70	39.00	21.65	3.10	13.2/2967	1.60	A
HP41.75F3SS	41.750	17.00	20.50	11.00	8.30	36.00	39.50	21.40	3.00	13.2/2967	1.64	A
DH16500HPSS	50.000	30.00	10.50	11.40	8.20	27.40	28.60	26.00	3.10	29.0/6519	2.24	B
HB50F4SS	50.000	30.00	10.00	11.60	8.20	26.60	28.40	25.40	3.00	36.0/8093	1.47	B
HP50F8SS	50.000	25.00	11.20	8.95	6.30	26.00	26.70	20.20	2.50	19.5/4384	1.79	B
HB50.8SS	50.800	30.00	10.50	11.40	8.20	27.40	28.60	26.00	3.10	35.0/7868	2.60	A
HB50.8F13SS	50.800	30.60	13.25	11.40	8.20	30.50	31.70	25.50	3.10	32.0/7194	1.66	B
HB50.8F42SS	50.800	30.00	10.00	11.60	8.00	26.60	30.00	25.40	3.00	50.0/11240	2.00	B
1650HPF3SS	50.800	30.00	10.50	11.20	8.20	27.40	28.60	26.00	3.10	32.0/7194	1.80	B
HB50.8F21SS	50.800	30.00	10.00	11.60	8.20	26.60	28.40	25.40	3.00	36.0/8093	1.46	B
DH16500HPSS	50.800	30.00	10.50	11.40	8.20	27.40	28.60	26.00	3.10	32.0/7194	1.60	B
HB63F6SS	63.000	30.00	10.00	11.70	8.20	26.70	28.10	26.50	3.10	35.0/7868	2.09	B
HB100F7SS	100.000	30.00	10.00	11.50	8.20	26.50	27.70	25.50	3.00	35.0/7868	1.28	B

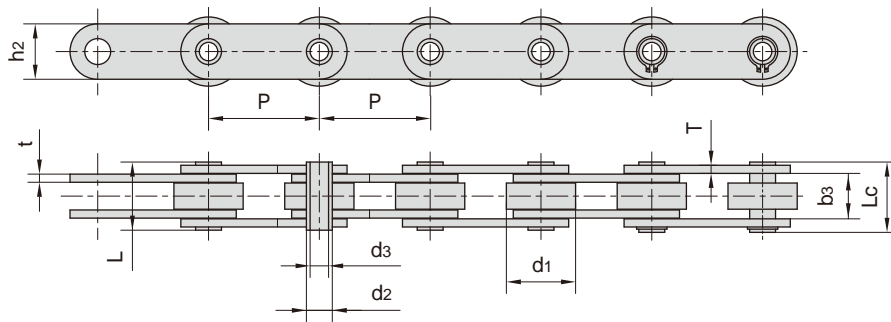
不锈钢空心销轴链

Stainless steel hollow pin chains

A型
Type A

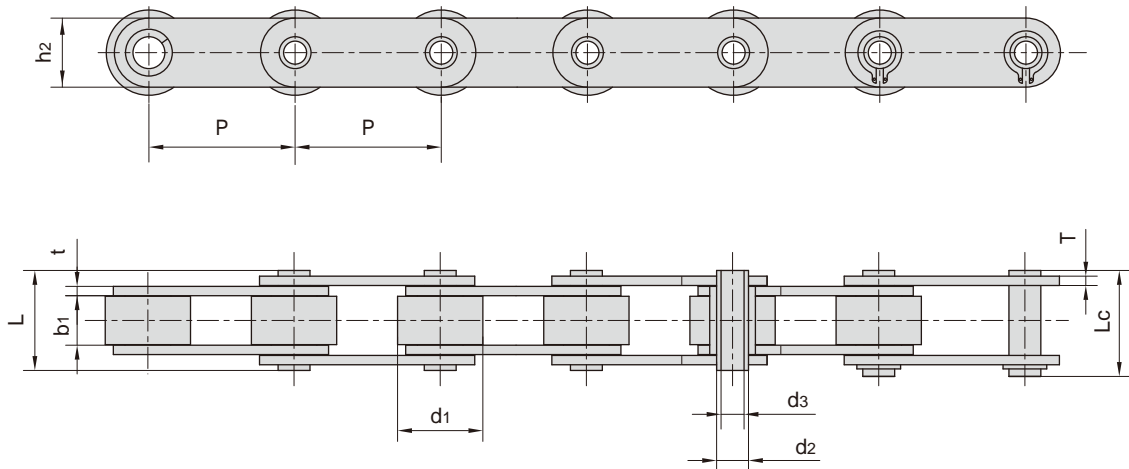


B型
Type B



东华链号 Donghua Chain No.	节距 Pitch	滚子直径 Roller diameter	外节内宽 Width between outer plates	销轴直径 Pin diameter		销轴长度 Pin length		内链板高度 Inner plate depth	链板厚度 Plate thickness	破断载荷 Breaking load	每米长重 Weight per meter	型号 Type
	P	d1	b1	d2	d3	L	Lc	h2	t/T	Q	q	
	mm	mm	mm	mm	mm	mm	mm	mm	mm	kN/lbf	kg/m	
08BHPF2SS	12.700	8.51	13.20	6.65	5.20	18.00	19.20	11.80	1.60	7.0/1591	0.50	A
08BHPF3SS	12.700	8.51	13.40	6.65	4.00	19.00	20.20	11.80	1.70	9.8/2227	0.69	A
10BHPF9SS	15.875	10.16	15.80	7.03	5.10	19.20	20.20	14.00	1.85	11.9/2705	0.87	A
12BHPF1SS	19.050	12.07	15.80	8.03	5.40	22.70	23.90	15.80	1.85	13.0/2955	1.20	A
12BHPF8SS	19.050	12.07	12.70	8.03	5.70	22.40	23.90	15.80	1.85	13.0/2955	1.04	A
60HPF3SS	19.050	11.91	12.70	8.40	6.10	24.70	26.00	18.00	2.03	12.0/2727	1.54	A
HP20SS	20.000	12.00	28.80	8.40	6.00	38.00	40.00	18.00	3.00	18.0/4091	3.00	A
HB38.1F5SS	38.100	18.00	22.50	14.00	10.20	32.80	34.30	28.00	3.50	40.0/9091	2.80	B

不锈钢空心销轴链 Stainless steel hollow pin chains



东华链号 Donghua Chain No.	节距	滚子直径	内节内宽	销轴直径		销轴长度		内链板高度	链板厚度	破断载荷	每米长重
	Pitch	Roller diameter	Width between inner plates	Pin diameter		Pin length		Inner plate depth	Plate thickness	Breaking load	Weight per meter
	P	d1 max	b1 min	d2 max	d3 min	L max	Lc max	h2 max	T max	Q min	q
	mm	mm	mm	mm	mm	mm	mm	mm	mm	kN/lbf	kg/m
C2042HPSS	25.400	15.88	7.85	5.63	4.00	16.50	17.60	12.00	1.50	7.7/1731	0.79
C2052HPSS	31.750	19.05	9.53	7.22	5.12	20.50	21.80	15.00	2.03	14.3/3215	1.27
C2062HPSS	38.100	22.23	12.70	8.31	6.00	25.80	26.80	17.00	2.42	16.8/3777	1.74
C2082HPSS	50.800	28.58	15.75	11.40	8.05	32.40	33.80	24.00	3.25	35.0/7868	2.86
C2042H-HPSS	25.400	15.88	7.85	5.63	4.00	18.80	19.90	12.00	2.03	7.7/1731	0.96
C2052H-HPSS	31.750	19.05	9.53	7.22	5.12	22.10	23.40	15.00	2.42	14.3/3215	1.46
C2062H-HPSS	38.100	22.23	12.70	8.31	6.00	29.20	30.20	17.00	3.25	16.8/3777	2.02
C2082H-HPSS	50.800	28.58	15.75	11.40	8.05	36.20	37.60	24.00	4.00	35.0/7868	3.30
HB25.4F2SS	25.400	15.89	17.26	9.00	6.35	31.30	32.50	20.00	2.50	24.0/5395	1.99
HB30SS	30.000	20.00	14.70	9.00	6.30	29.00	31.00	20.00	2.50	18.0/4046	2.23
HB45SS	45.000	28.00	17.75	10.00	6.00	34.50	36.60	25.40	3.00	35.0/7868	3.60
HB50F3SS	50.000	25.00	11.50	9.00	6.00	25.00	26.50	20.00	2.50	21.0/4721	1.24
HB50F5SS	50.000	28.00	17.75	10.00	6.00	34.50	36.60	25.00	3.00	35.0/7868	3.43
HB50F6SS	50.000	20.00	17.75	10.00	6.00	34.50	36.60	25.00	3.00	35.0/7868	2.51
C10HBSS	15.875	10.16	9.65	5.94	4.04	19.30	20.50	14.70	1.70	10.0/2248	0.99
C60HBF4SS	19.080	11.91	12.70	7.00	4.00	25.50	36.60	18.00	2.42	15.0/3372	1.70
MC35SS-P-50	50.000	31.00	14.80	14.00	10.20	31.00	33.00	25.00	3.00	21.0/4721	2.90
DH4203HPSS	76.200	31.75	15.00	14.00	10.10	25.00	39.00	26.00	3.80	29.4/6609	3.05