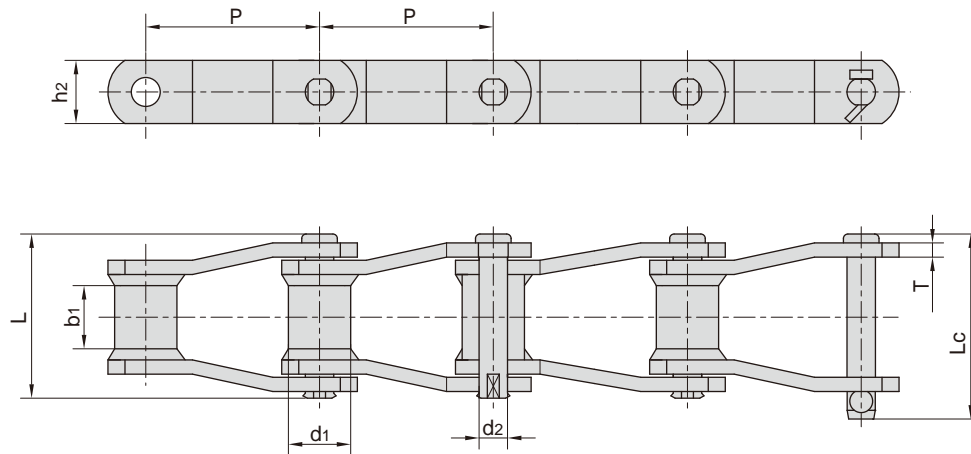


工程用焊接结构弯板链 Welded-steel-type mill chains



东华链号 Donghua Chain No.	节距 Pitch	套筒直径 Bush diameter	内节内宽 Width between inner plates	销轴直径 Pin diameter	销轴长度 Pin length		链板高度 Plate depth	链板厚度 Plate thickness	抗拉强度 Tensile strength	平均抗拉强度 Average tensile trength	每米长重 Weight per meter
	P	d1 max	b1 min	d2 max	L max	Lc max	h2 max	T	Q min	Q0	q
	mm	mm	mm	mm	mm	mm	mm	mm	kN/lbf	kN	kg/m
WR78	66.27	22.90	28.40	12.78	73.00	79.3	28.4	6.4	93.4/21227	102.70	6.20
WH78									106.8/24273	117.50	
WR82	78.10	31.50	31.80	14.35	80.00	86.0	31.8	6.4	100.1/22750	110.10	7.98
WH82									131.2/29818	144.30	
WR106	152.40	37.10	41.20	19.13	103.00	111.0	38.1	9.7	169.0/38409	185.90	10.56
WH106									224.6/51045	247.00	
WR110	152.40	32.00	46.70	19.13	107.70	115.5	38.1	9.7	169.0/38409	185.90	10.40
WH110									224.6/51045	247.00	
WR111	120.90	37.10	57.20	19.13	116.80	124.5	38.1	9.7	169.0/38409	185.90	12.72
WH111									224.6/51045	247.00	
WR124	101.60	37.10	41.20	19.13	103.00	110.0	38.1	9.7	169.0/38409	185.90	12.38
WH124									224.6/51045	247.00	
WR124H	103.20	41.70	41.20	22.30	131.60	133.0	50.8	12.7	275.8/62682	303.30	19.68
WH124H									355.9/80886	391.40	
WR132	153.67	44.70	76.20	25.48	151.00	162.2	50.8	12.7	275.8/62682	303.30	20.00
WH132									378.1/85932	415.90	
WR150	153.67	44.45	73.00	25.40	151.00	162.2	63.5	12.7	530.0/119144	583.00	20.50
WH150											
WR155	153.67	44.45	73.00	28.57	164.00	176.0	63.5	12.7	820.0/186361	902.00	20.70
WH155											
WR157	153.67	44.45	76.20	28.57	164.00	176.0	63.5	15.9	820.0/186361	902.00	20.80
WH157											
WR78F5	66.27	21.30	20.00	12.70	62.99	66.1	25.4	6.4	66.7/14994	73.37	5.00
WH78F4	66.27	22.90	22.23	12.78	66.40	72.3	28.4	6.4	106.8/24009	117.48	5.94
WH124F1	101.60	31.75	38.10	19.05	101.50	109.5	38.1	9.5	253.0/56876	278.00	11.40
WH111F1	120.90	36.50	57.20	19.05	120.60	120.6	38.1	9.5	272.0/61148	299.20	12.63

注：WR 仅销轴和套筒热处理
WH 所有零件热处理

Note: WR - Welded steel chain - only pins & bushes heat treated
WH - Welded steel chain - all heat treated